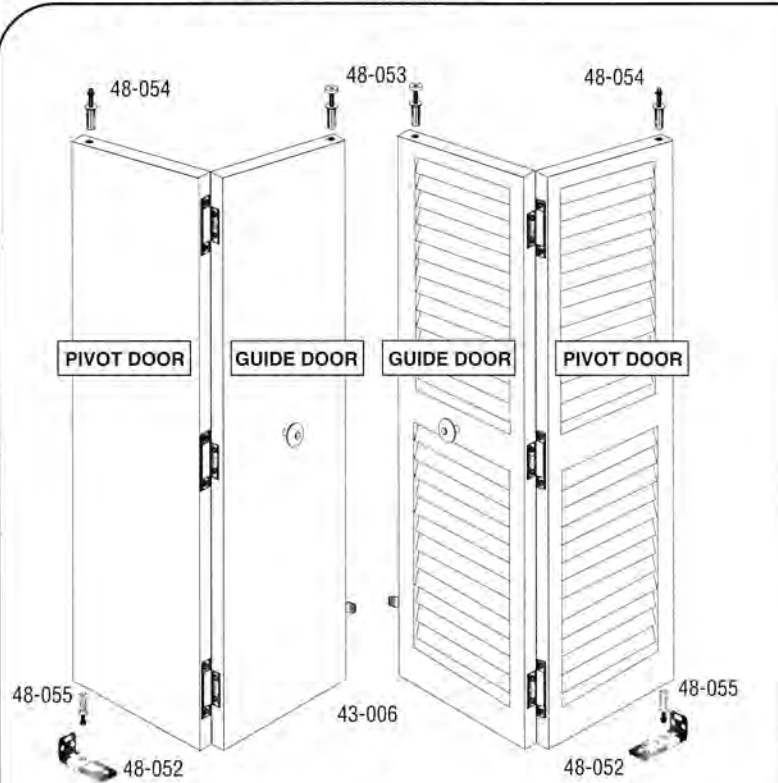


COXUSA

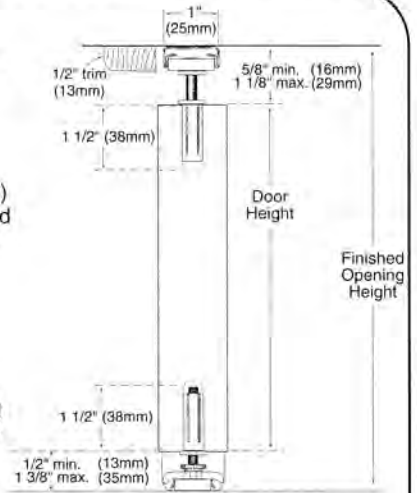
INSTALLATION INSTRUCTIONS FOR BI-FOLD HARDWARE/SERIES48



1. SIZE DOORS

Door Height:
Size doors
1 5/8" to 2"
(41mm to 51mm)
less than finished
opening height.

Door Width:
Deduct the
following from
finished opening
width and divide
by number
of doors:



Door Thickness	Trim Size	2 Door Deduct	4 Door Deduct
7/8"–1 3/8" (22mm–35mm)	3/4" (19mm)	3/4" (19mm)	1 1/4" (32mm)
7/8"–1 3/8" (22mm–35mm)	1/2" (13mm)	1/2" (13mm)	3/4" (19mm)
7/8"–1" (22mm–25mm)	no trim	1/4" (6mm)	1/2" (13mm)
1 3/8" (35mm)	no trim	3/8" (9.5mm)	5/8" (16mm)

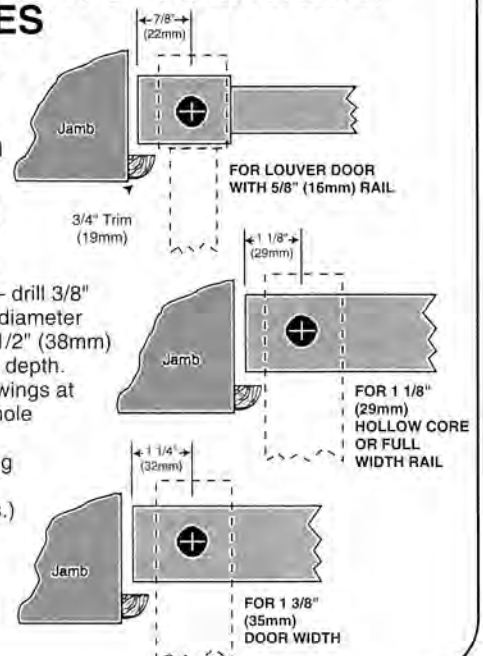
2. INSTALL HINGES

Install 43-009
Non-Mortise Hinges
to edge of doors.



3. DRILL PIVOT AND GUIDE HOLES

For TOP PIVOT (48-054), BOTTOM PIVOT (48-055) and TOP GUIDE PIVOTS (48-053)– drill 3/8" (9.5mm) diameter holes, 1 1/2" (38mm) minimum depth. (See drawings at right for hole location, depending on door thickness.)



TRACK 43-550



TOP PIVOT BRACKET 43-051

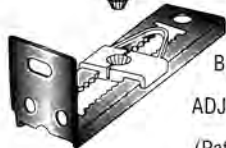


NON-MORTISE HINGE 43-009

BOTTOM PIVOT 48-055



BOTTOM JAMB BRACKET 48-052



BOTTOM JAMB BRACKET ADJUSTMENT LOCK 48-050 (Patent #5,548,869)



PLASTIC KNOBS 43-013



WOOD KNOBS 43-010



BRASS KNOBS 43-011



ALIGNERS 43-006



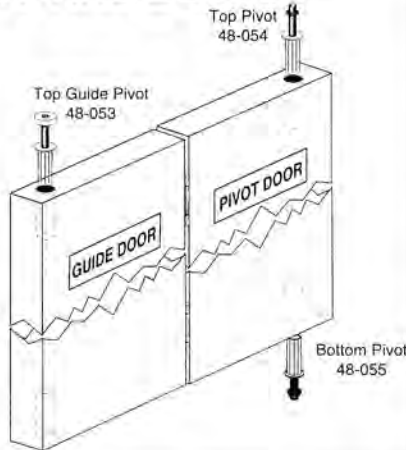
SNUGGER 43-057 2 Door 43-058 4 Door

4. INSTALL TOP AND BOTTOM PIVOTS

Tap TOP PIVOTS (48-054) and TOP GUIDE PIVOTS (48-053) into holes.

Note: Top Pivot is positioned on side next to jamb and Top Guide Pivot is positioned on Guide (moving) door.

Tap BOTTOM PIVOTS (48-055) into hole on jamb side.

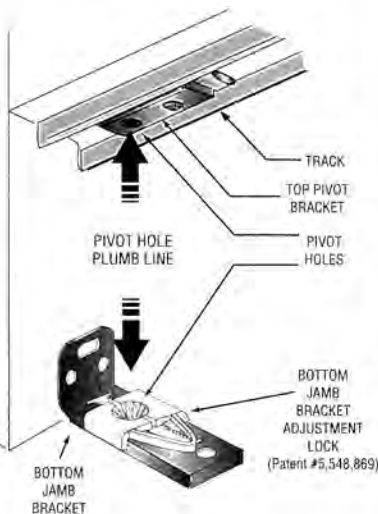


5. INSTALL TRACK & BOTTOM PIVOT BRACKET

TRACK – Screw track to header. It must be straight and level for best operation.

TOP PIVOT BRACKETS (43-051) are pre-installed.

BOTTOM JAMB BRACKET (48-052) – Screw to jamb and floor directly below track. Pivot hole must be plumb with pivot hole in TOP PIVOT BRACKET (43-051).



6. INSTALL DOORS

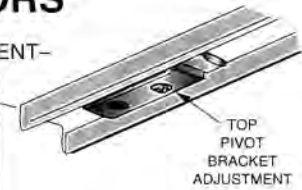
Stand in front of opening. Fold doors and insert TOP GUIDE PIVOT (48-053) into track and TOP PIVOT (48-054) into pivot hole in top pivot bracket.

Raise doors and place BOTTOM PIVOT (48-055) into pivot hole in bottom jamb bracket adjustment lock.

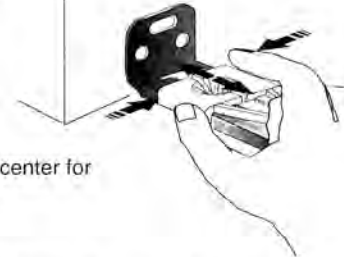


7. ADJUST DOORS

HORIZONTAL ADJUSTMENT– Use Phillips screwdriver and adjust TOP PIVOT BRACKET to align door.



Lift door and squeeze together BOTTOM JAMB BRACKET ADJUSTMENT LOCK. Adjust in and out to align door. Adjust to approximately 1/8" (3mm) apart in center for 4 door installations.



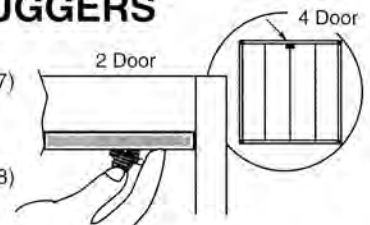
VERTICAL ADJUSTMENT– Top edge of doors must be parallel with track. Turn BOTTOM PIVOT (48-055) with fingers to obtain proper spacing from track.



8. INSTALL SNUGGERS

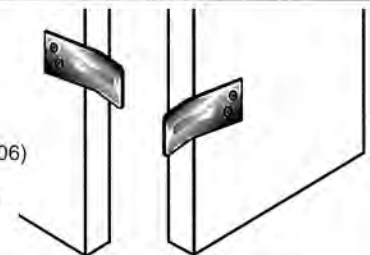
For 2 DOORS: Insert SNUGGER (43-057) next to striking jamb.

For 4 DOORS: Insert SNUGGER (43-058) in center of track.



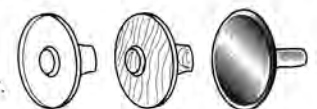
9. INSTALL ALIGNERS

(4 DOORS ONLY) – Fasten ALIGNERS (43-006) to back of center doors, approximately 8" (20 cm) from bottom of door.



10. INSTALL KNOBS OF YOUR CHOICE

At height from floor preferred, in center of lead (moving) door.



COXUSA

4755 E. ZINFANDEL COURT, SUITE D | ONTARIO, CA 91761
P 909/545-8900 | F 909/975-4801 | WWW.COXUSA.US