

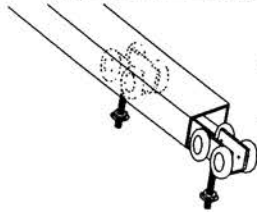
# COXUSA

## INSTALLATION INSTRUCTIONS/SERIES 32

### HEAVY DUTY COMMERCIAL SLIDING DOOR HARDWARE

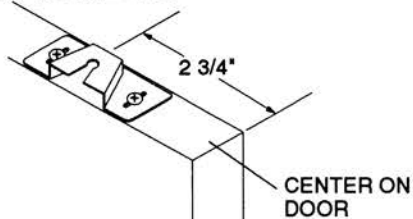
1" TO 1-3/4" (25-44 MM) DOORS - AXLE BEARING - UP TO 200 LBS.

### 1. INSTALL HANGERS



Place hangers in track by fitting through hanger mounting space between track and jamb.

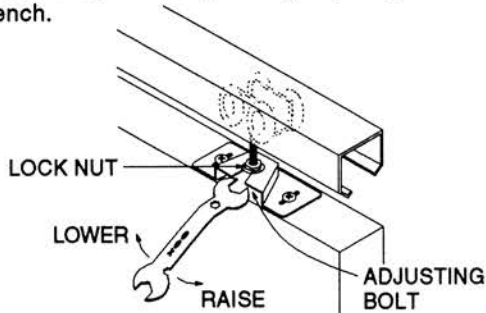
### 2. INSTALL HANGER BRACKETS



Screw all hanger brackets on door, 2 3/4" from edge of door to center of bracket.

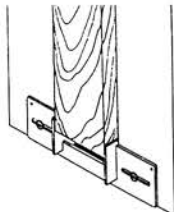
### 3. INSTALL AND ADJUST DOORS

Attach bracket to hanger by lifting door and inserting adjusting bolt into slot until bolt head becomes seated. Align doors by turning adjusting bolt with wrench.

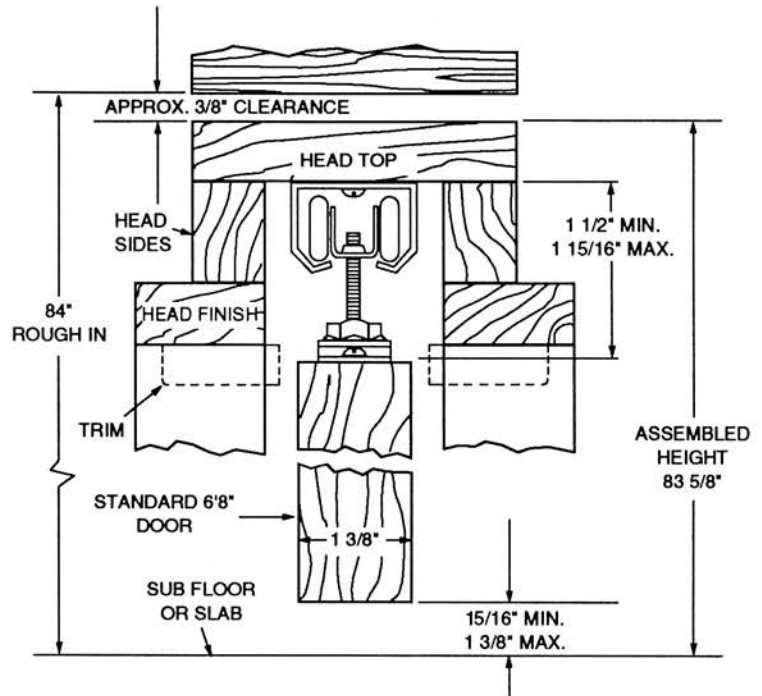


After final adjustment, tighten lock nut down to bracket as shown.

### 4. INSTALL FLOOR GUIDES



Nail nylon guide No. 04-002 to split jamb as shown, centering door in pocket. NOTE: For 1 3/4" doors, cut out center section of nylon floor guide.



NOTE: Floor clearance is for a standard 80" door. Trim door accordingly for clearance over heavy carpet, etc.

Finish Door Size		2' - 0"	2' - 4"	2' - 6"	2' - 8"	3' - 0"
Rough Opening	Height	7' - 0"	7' - 0"	7' - 0"	7' - 0"	7' - 0"
	Width	4' - 2"	4' - 10"	5' - 2"	5' - 6"	6' - 2"
Frame Size	Height	6' - 11-5/8"	6' - 11-5/8"	6' - 11-5/8"	6' - 11-5/8"	6' - 11-5/8"
	Width	4' - 1-5/8"	4' - 9-5/8"	5' - 1-5/8"	5' - 5-5/8"	6' - 1-5/8"

# COXUSA

4755 E. ZINFANDEL COURT, SUITE D | ONTARIO, CA 91761  
P 909/545-8900 | F 909/975-4801 | WWW.COXUSA.US