

COXusa

ASSEMBLY PROCEDURE/SERIES 22

EDGE GUARD FRAMELESS/SLIMLINE BYPASSING MIRROR & PREFINISHED PANEL DOORS

#22-701
Self-Adjusting
Top Guide Bracket

#22-702
Self-Adjusting
Top Roller Bracket
(optional)

#21-243 Steel
#22-243 Aluminum
Reversible Top Guide Channel.
Full 1 7/8" (47.7mm) depth for maximum
adjustment and appearance

#26-323 Steel
#22-443 Aluminum
Reversible Frameless/Slimline Stile

#22-005 Category 1 Dual Face Cushion Tape
#22-006 Category 2 Dual Face Cushion Tape
for Frameless Design

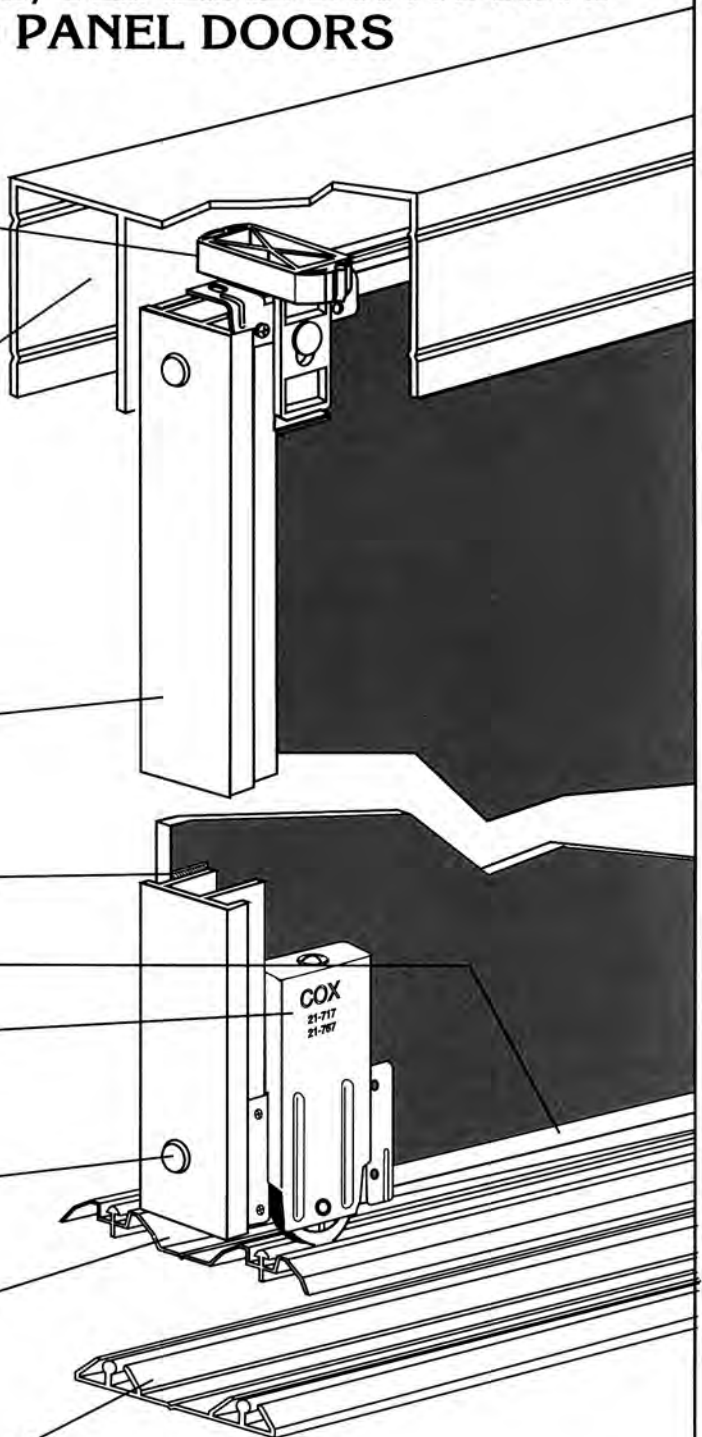
#22-143
Extruded Aluminum Top and Bottom Rail

#21-717/767
Plated Steel Roller Assembly.
1 1/4" (31.8mm) overall vertical adjustment with
durable Delrin® spoked axle or
double steel race ball bearing wheels,
1 1/2" (38.1mm) diameter.

#22-004
Clear Bumper (optional)

#21-673 Steel
#22-603 Aluminum
Sheave Design Standard Threshold

#22-663
Extruded Aluminum Low Profile Threshold (optional)



ASSEMBLY INSTRUCTIONS/SERIES 22

1. SIZE DOORS TO FIT OPENINGS

HEIGHT

NET FINISHED OPENING HEIGHT	MIRROR LENGTH	STILE LENGTH
80 1/2" (204.5cm)	77 7/8" (197.8cm)	78" (198.1cm)
96" (243.8cm)	93 3/8" (237.2cm)	93.5" (237.5cm)

WIDTH

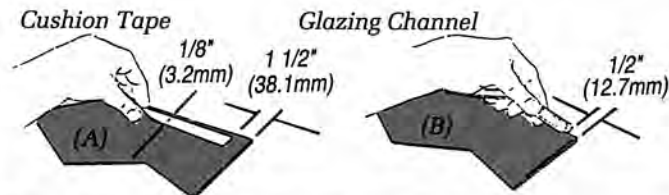
NET FINISHED OPENING WIDTH	NO. DOORS	MIRROR WIDTH	RAIL WIDTH
47" (119.4cm)	2	24" (61.0cm)	23 7/8" (60.6cm)
59" (149.9cm)	2	30" (76.2cm)	29 7/8" (75.9cm)
71" (180.3cm)	2	36" (91.4cm)	35 7/8" (91.1cm)
83" (210.8cm)	2	42" (106.7cm)	41 7/8" (106.4cm)
95" (241.3cm)	2	48" (121.9cm)	47 7/8" (121.6cm)
106" (269.2cm)	3	36" (91.4cm)	35 7/8" (91.1cm)
118" (299.7cm)	3	42" (106.7cm)	41 7/8" (106.4cm)
142" (360.7cm)	3	48" (121.9cm)	47 7/8" (121.6cm)

2. CLEAN STILE AND MIRROR SAFETY-BACKING

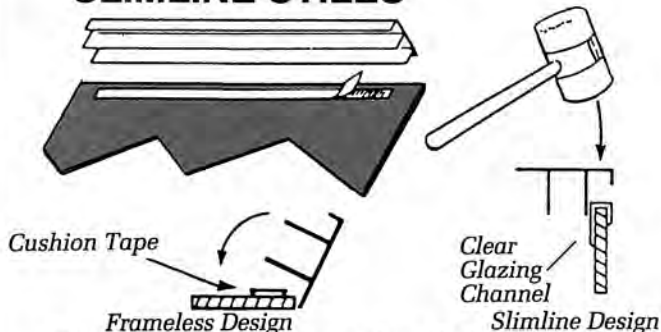
For frameless doors, stiles and safety-backing must be clean and free from dust and grease where tape will be applied. Cox suggests the use of any non-residual solvent such as Isopropyl Rubbing Alcohol (70% minimum by volume) for this purpose.

3. APPLY CUSHION TAPE OR GLAZING CHANNEL

Install dual face tape (A) or clear "Slimline" glazing channel (B) as shown. None required for top and bottom rails.



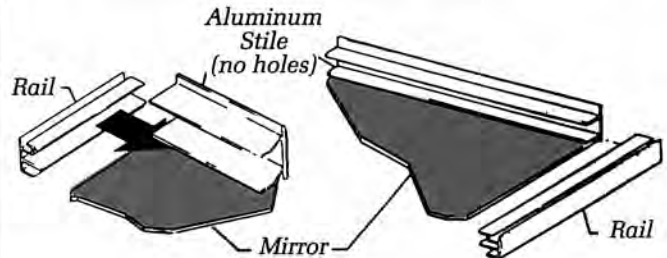
4. ATTACH REVERSIBLE EDGE GUARD FRAMELESS/SLIMLINE STILES



Remove paper covering on tape. Butt frameless side against mirror and rotate stile into position, keeping tight against mirror. Press downward on tape. For slimline, tap stile onto mirror over clear glazing channel. Stile should extend 1/16" (1.6mm) beyond each end.

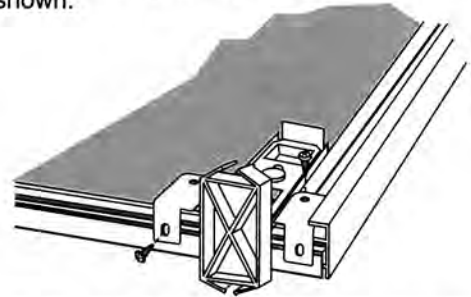
5. ATTACH TOP AND BOTTOM RAILS

Install top and bottom rails between stiles onto mirror panel. Insert center flange of rail between mirror and stile and press into position.



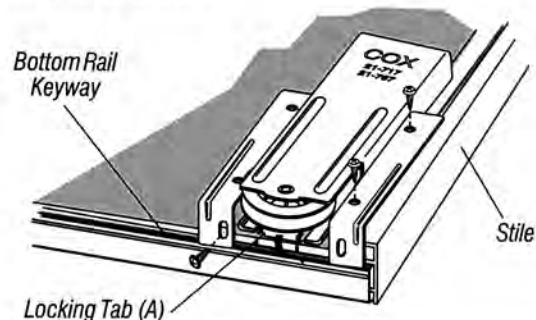
6. INSTALL TOP GUIDE BRACKETS

Attach Top Guides (#22-701) or optional Top Roller Brackets (#22-702). Hold bracket firmly against edge of stile. Attach to stile and rail with 2 each 3/8" (9.5mm) self-tapping screws as shown.



7. INSTALL BOTTOM ROLLER BRACKETS

Attach bottom roller brackets (#21-717 or #21-767). Press locking tab (A) into bottom rail keyway and hold bracket firmly against edge of stile. Attach to stile and rail with 3 each 3/8" (9.5mm) self-tapping screws as shown.



TO FIGURE SPECIAL SIZES

- Mirror Height – Finished opening height less (-) 2 5/8" (66.7mm).
- Mirror Width – Finished opening width plus (+) 1" (25.4mm) per overlap divided (+) by number of doors.
- Stile Length – Cut 1/8" (3.2mm) longer than mirror height.
- Rail Length – Cut 1/8" (3.2mm) less than mirror width.

INSTALLATION INSTRUCTIONS/SERIES 22

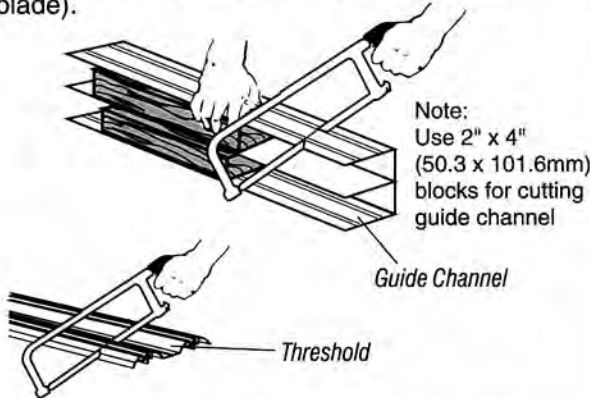
1. FIT DOORS TO OPENINGS

WIDTHS			HEIGHTS	
FINISHED OPENING	NUMBER DOORS	DOOR WIDTH	FINISHED OPENING	DOOR HEIGHT
47" (119.4cm)	2	24" (61.0cm)	80 1/2" (204.5cm)	78" (198.1cm)
59" (149.9cm)	2	30" (76.2cm)	96" (243.8cm)	93 1/2" (237.5cm)
71" (180.3cm)	2	36" (91.4cm)		
83" (210.8cm)	2	42" (106.7cm)		
95" (241.3cm)	2	48" (121.9cm)		
106" (269.2cm)	3	36" (91.4cm)		
118" (299.7cm)	3	42" (106.7cm)		
142" (360.7cm)	3	48" (121.9cm)		

Height of door should be 2 1/2" (63.5mm) less than finished opening. Doors should overlap a minimum of 1" (25.4mm).

2. TRIM TOP GUIDE CHANNEL

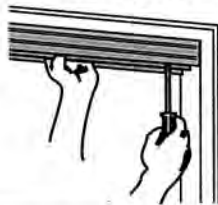
Cut top guide channel to exact opening width using a fine tooth hacksaw (32 teeth per inch blade).



Steel threshold is pre-cut for standard widths 47" (119.4mm), 59" (149.9mm), 71" (180.3mm), 83" (210.8mm), and 95" (241.3mm). All aluminum thresholds and steel thresholds for non-standard widths must be cut to size.

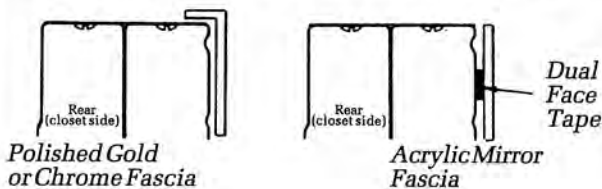
3. INSTALL TOP GUIDE CHANNEL

Locate top guide channel flush with the front edge of opening or jamb.



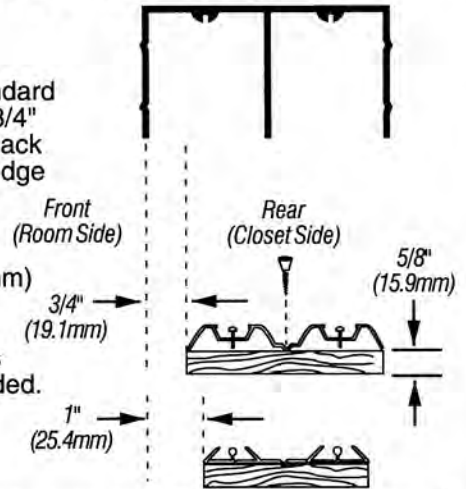
4. INSTALL TOP FASCIA

Optional (Polished Gold and Chrome sets only)



5. INSTALL THRESHOLD

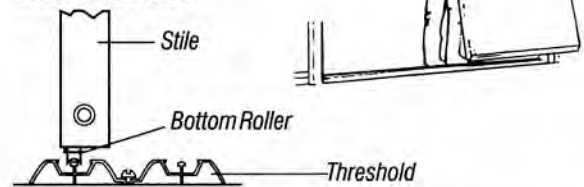
Locate standard Threshold 3/4" (19.1mm) back from front edge of jamb. If carpet is used, 5/8" (15.9mm) wood riser under threshold is recommended.



Optional low profile threshold requires 1" (25.4mm) backset from front of jamb.

6. INSTALL DOORS

Install rear door first. Raise door and insert Top Guides into Top Guide Channel. Allow bottom of door to swing back and lower Bottom Roller Wheels onto Threshold.



7. ADJUST DOORS

Adjust as shown to align side of doors and to clear high points of Threshold.

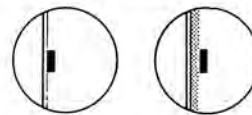


8. INSTALL PULLS

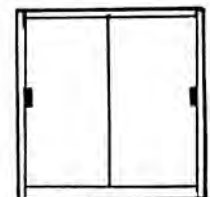
Install pulls with dual face tape provided at desired height. Pulls are attached to jamb side of doors.

NOTE: On beveled mirrors, install pulls at inside edge of bevel (parallel to edgeguard stile).

Aluminum Pull

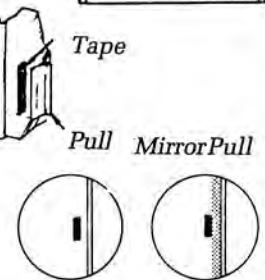


Beveled



Tape

Pull Mirror Pull

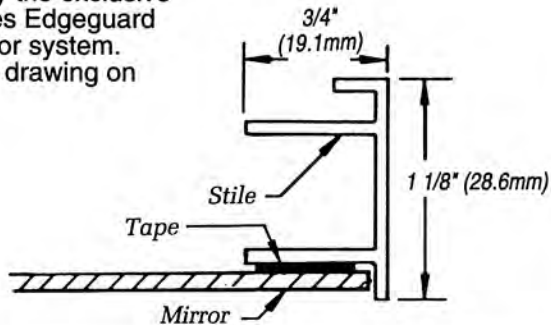


Beveled

SPECIFICATIONS/SERIES 22

ARCHITECTURAL SPECIFYING DETAILS

To specify the exclusive Cox Series Edgeguard Mirror Door system. Duplicate drawing on plans.



ARCHITECTURAL SPECIFICATIONS

Cox Series 22 Mirror Door hardware shall be guided at the top by Cox Series 21 steel or Series 22 extruded aluminum top guide channel. Top guides shall be Cox Series 22 plated steel with polyethylene guide inserts of self-adjusting anti-rattle design or plated steel with dual nylon wheels.

Doors shall be assembled by attaching prefinished "edgeguard" steel or aluminum stiles with Cox Series 22 dual face cushion tape for Frameless Design or Cox Series 26 clear glazing channel for Slimline Design.

Doors shall roll at the bottom on Cox Series 21 steel or Series 22 extruded aluminum standard or low profile threshold by adjustable sheave type rollers. Rollers shall be spoke design axle or double steel race ball bearing with Delrin® sheave shape tires.

Top guide channel, threshold and all other hardware shall be manufactured by Arthur Cox & Sons, Incorporated, Industry, California.

MIRROR SPECIFICATIONS

COX Series 22 Mirror Door hardware is manufactured ready to assemble on pre-cut 1/8" or 5/32" (3mm or 4mm) polished or beveled edge safety-backed mirror. Mirror for reach-in closet applications must conform to ANSI Z 97.1-1984 Category 1 Safety Glazing Standards.* Mirror for passage door applications must conform to CPSC 42 FR 1428; 16 CFR Part 1201 Category 2 Safety Glazing Standards.**

*American National Standards Institute 1430 Broadway, New York, N.Y. 10018
**U.S. Consumer Product Safety Commission, Washington, D.C. 20207

COXusa

4755 E. ZINFANDEL COURT, SUITE D | ONTARIO, CA 91761
P 909/545-8900 | F 909/975-4801 | WWW.COXUSA.US

