

# COXUSA

## ASSEMBLY PROCEDURE/SERIES 29

### ALUMINUM BYPASSING MIRROR DOORS

#22-701  
Self-Adjusting  
Top Guide Bracket

#22-702  
Self-Adjusting  
Top Roller Bracket  
(optional)

#22-243  
Extruded Aluminum Reversible Top Guide Channel.  
Full 1 7/8" (47.7mm) depth for maximum  
adjustment and appearance

#29-443  
Extruded Aluminum Stile with  
Integral Pull

#29-706/709  
Glazing Channel for 1/8" or 5/32" (3 or 4mm) Mirror

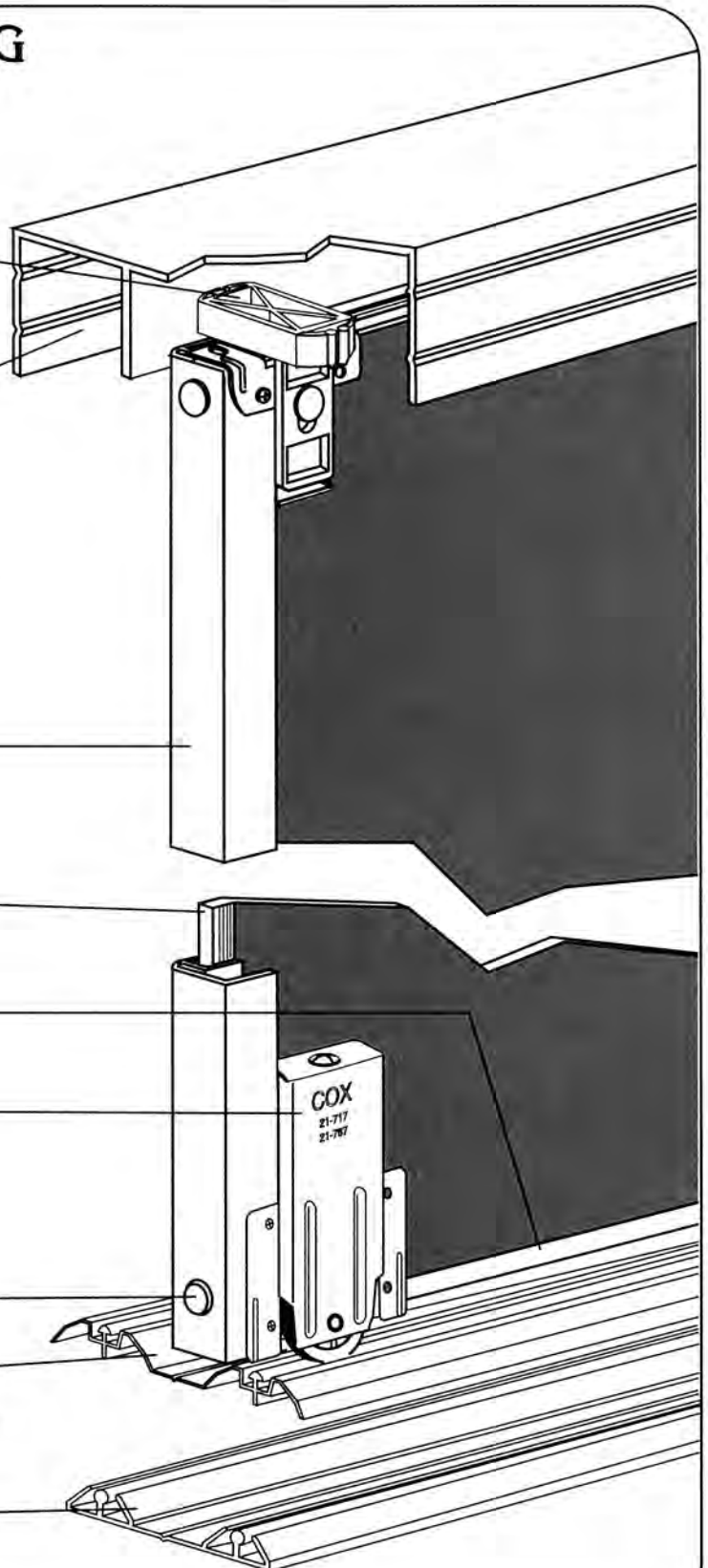
#29-143  
Extruded Aluminum Top and Bottom Rail

#21-717/767  
Plated Steel Roller Assembly.  
1 1/4" (31.8mm) overall vertical adjustment with  
durable Delrin® spoked axle or  
double steel race ball bearing wheels,  
1 1/2" (38.1mm) diameter.

#22-004  
Clear Bumper (optional)

#22-603  
Extruded Aluminum Sheave Design Standard Threshold

#22-663  
Extruded Aluminum Low Profile Threshold (optional)



# ASSEMBLY INSTRUCTIONS

## 1. SIZE DOORS TO FIT OPENINGS

### HEIGHT

NET FINISHED OPENING HEIGHT	MIRROR LENGTH	STILE LENGTH
80 1/2" (204.5cm)	77 7/8" (197.8cm)	78 1/8" (198.4cm)
96" (243.8cm)	93 3/8" (237.2cm)	93 5/8" (237.8cm)

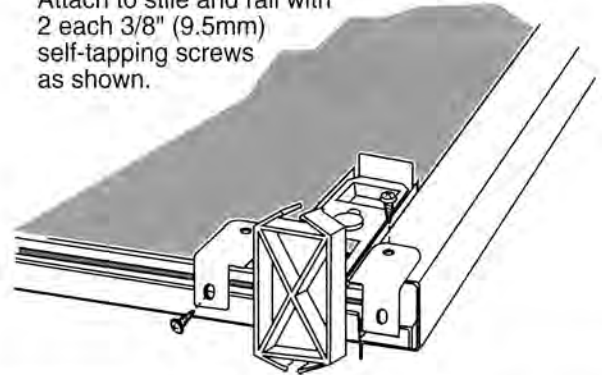
### WIDTH

NET FINISHED OPENING WIDTH	NO. DOORS	MIRROR WIDTH	RAIL WIDTH	GUIDE CHANNEL* & THRESHOLD*
47" (119.4cm)	2	24" (61.0cm)	23" (58.4cm)	48" (121.9cm)
59" (149.9cm)	2	30" (76.2cm)	29" (73.7cm)	60" (152.4cm)
71" (180.3cm)	2	36" (91.4cm)	35" (88.9cm)	72" (182.9cm)
83" (210.8cm)	2	42" (106.7cm)	41" (104.1cm)	84" (213.4cm)
95" (241.3cm)	2	48" (121.9cm)	47" (119.4cm)	96" (243.8cm)
106" (269.2cm)	3	36" (91.4cm)	35" (88.9cm)	108" (274.3cm)
118" (299.7cm)	3	40" (101.6cm)	39" (99.1cm)	120" (304.8cm)
142" (360.7cm)	3	48" (121.9cm)	47" (119.4cm)	144" (365.8cm)

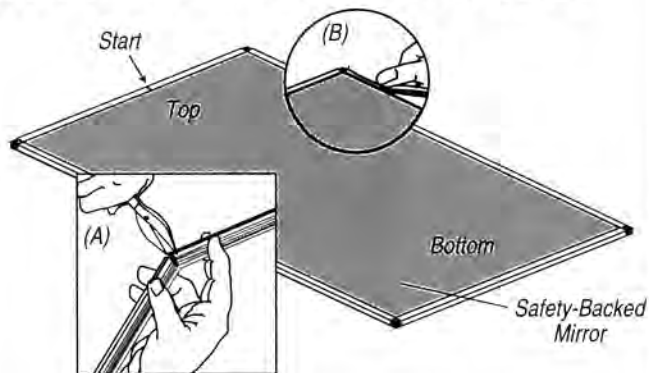
\* Allows for cutting to exact finished opening width during installation.

## 4. INSTALL TOP GUIDES

Attach Top Guide (#22-701) or optional Top Roller Bracket (#22-702). Hold bracket firmly against edge of stile. Attach to stile and rail with 2 each 3/8" (9.5mm) self-tapping screws as shown.



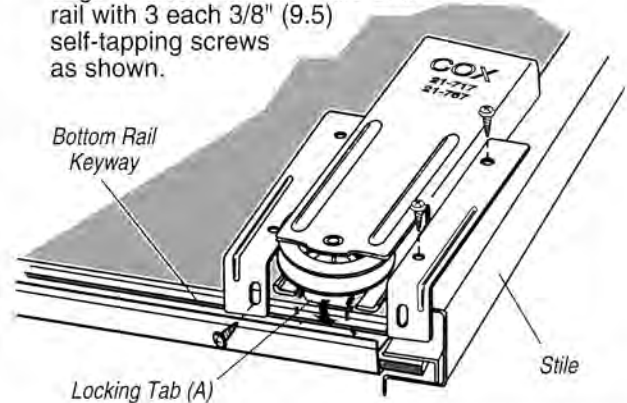
## 2. APPLY GLAZING CHANNEL



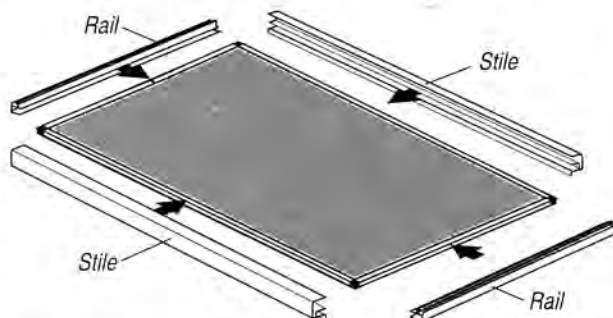
Starting in center of top, stretch glazing channel tight around mirror. Make partial cut through glazing channel, as shown (A), approximately 1" to 2" (25.4 to 50.8mm) before corner of mirror panel. Stretch glazing channel tight and around corner engaging cut as shown (B).

## 5. INSTALL BOTTOM ROLLER BRACKETS

Attach bottom roller brackets (# 21-717 or #21-767). Press locking tab (A) into bottom rail keyway and hold bracket firmly against edge of stile. Attach to stile and rail with 3 each 3/8" (9.5) self-tapping screws as shown.



## 3. ATTACH RAILS AND STILES



With a white rubber mallet, tap rails over glazing channel, centering on mirror panel. Tap on vertical stiles butting against rails, forming square corners.

## 6. TO FIGURE SPECIAL SIZES

### WIDTH

2 Door – Finished opening width plus (+) 1" (25.4mm) divided (-) by 2= mirror size.

3 Door – Finished opening width plus (+) 2" (50.8mm) divided (-) by 3=mirror size.

Cut Rails – Mirror size less (-) 1" (25.4mm)

### HEIGHT

Cut Stile–Finished opening height less (-) 2 3/8" (60.3mm)

Cut Mirror–Finished opening height less (-) 2 5/8" (66.7mm)

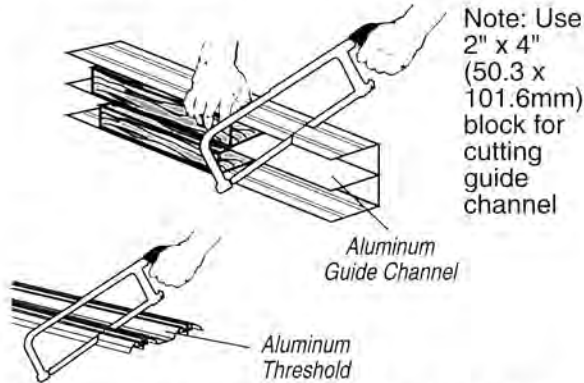
# INSTALLATION INSTRUCTIONS

## 1. FIT DOORS TO OPENINGS

WIDTHS			HEIGHTS	
FINISHED OPENING	NUMBER DOORS	DOOR WIDTH	FINISHED OPENING	DOOR HEIGHT
47" (119.4cm)	2	24 1/2" (62.2cm)	80 1/2" (204.5cm)	78 1/8" (198.4cm)
59" (149.9cm)	2	30 1/2" (77.5cm)	96" (243.8cm)	93 5/8" (237.8cm)
71" (180.3cm)	2	36 1/2" (92.7cm)		
83" (210.8cm)	2	42 1/2" (108.0cm)		
95" (241.3cm)	2	48 1/2" (123.2cm)		
106" (269.2cm)	3	36 1/2" (92.7cm)		
118" (299.7cm)	3	40 1/2" (102.9cm)		
142" (360.7cm)	3	48 1/2" (123.2cm)		

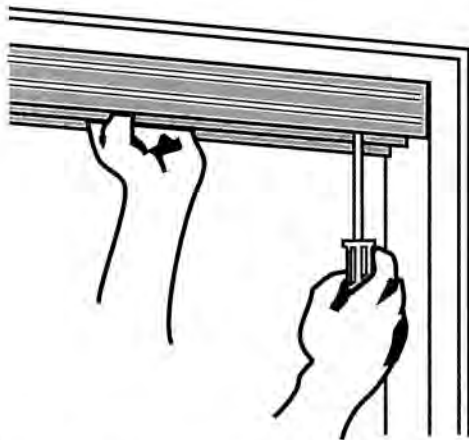
Height of door should be 2 3/8" (60.3mm) less than finished opening.

## 2. TRIM ALUMINUM GUIDE CHANNEL AND THRESHOLD



Cut aluminum guide channel and threshold to exact opening width using a fine tooth hacksaw (32 teeth per inch).

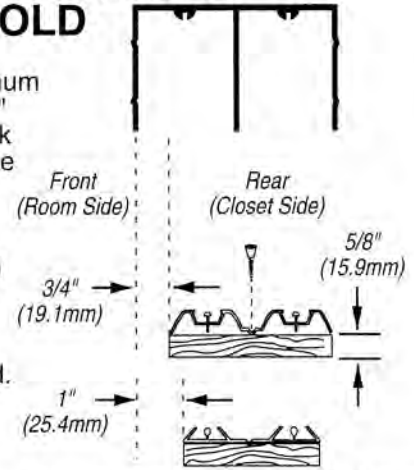
## 3. INSTALL ALUMINUM GUIDE CHANNEL



Top Guide channel has the same design on both sides. Locate channel flush with front edge of jamb.

## 4. INSTALL ALUMINUM THRESHOLD

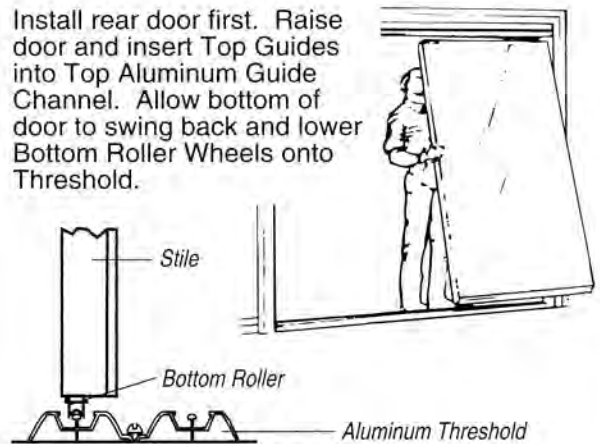
Locate Aluminum Threshold 3/4" (19.1mm) back from front edge of jamb. If carpet is used, 5/8" (15.9mm) wood riser under threshold is recommended.



Optional low profile threshold requires 1" (25.4mm) backset from front of jamb.

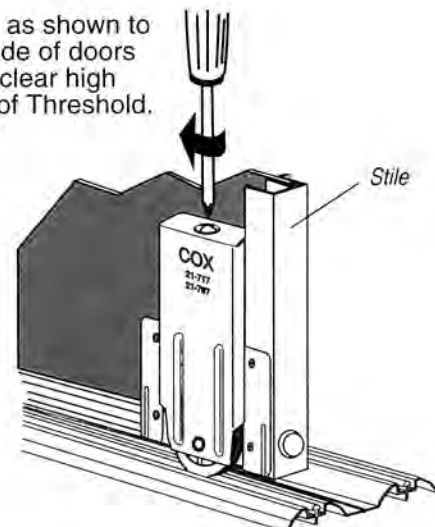
## 5. INSTALL DOORS

Install rear door first. Raise door and insert Top Guides into Top Aluminum Guide Channel. Allow bottom of door to swing back and lower Bottom Roller Wheels onto Threshold.



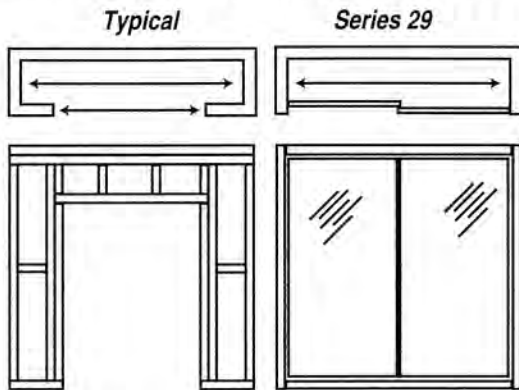
## 6. ADJUST DOORS

Adjust as shown to align side of doors and to clear high points of Threshold.



# SERIES 29

## FRAMING COMPARISON



## ARCHITECTURAL SPECIFICATIONS

Cox Series 29 Mirror Wardrobe Door hardware shall be guided at the top by Cox Series 22 extruded aluminum top guide channel. Top guides shall be Cox Series 22 plated steel with polyethylene guide inserts of self-adjusting anti-rattle design or plated steel with dual nylon wheels with rubber tires.

Doors shall be assembled by attaching Cox Series 29 extruded aluminum stiles and rails over Cox Series 29 clear glazing channel.

Doors shall roll at the bottom on Cox Series 22 extruded aluminum sheave threshold or Cox Series 22 Low Profile Aluminum Threshold by adjustable sheave type rollers. Rollers shall be spoke design axle or double steel race ball bearing with Delrin® sheave shape tires.

Top guide channel, threshold and all other hardware shall be manufactured by Arthur Cox & Sons, Incorporated, Industry, California.

## MIRROR SPECIFICATIONS

COX Series 29 Mirror Door hardware is manufactured ready to assemble on pre-cut 1/8" or 5/32" (3mm or 4mm) safety-backed mirror. Mirror for reach-in closet applications must conform to ANSI Z 97.1-1984 Category 1 Safety Glazing Standards.\* Mirror for passage door applications must conform to CPSC 42 FR 1428; 16 CFR Part 1201 Category 2 Safety Glazing Standards.\*\*

\*American National Standards Institute 1430 Broadway, New York, N.Y. 10018  
 \*\*U.S. Consumer Product Safety Commission, Washington, D.C. 20207

# COXusa

4755 E. ZINFANDELE COURT, SUITE D | ONTARIO, CA 91761  
 P 909/975-4801 | WWW.COXUSA.COM

