

COXusa

ASSEMBLY PROCEDURES/SERIES 28

ALUMINUM BYPASSING MIRROR DOORS

#22-701
Self-Adjusting
Top Guide Bracket

#22-702
Self-Adjusting
Top Roller Bracket
(optional)

#22-243
Extruded Aluminum Reversible Top Guide Channel.
Full 1 7/8" (47.7mm) depth for maximum
adjustment and appearance

#28-443
Extruded Aluminum Stile with
Integral Pull

#29-706/709
Glazing Channel for 1/8" or 5/32" (3 or 4mm) Mirror

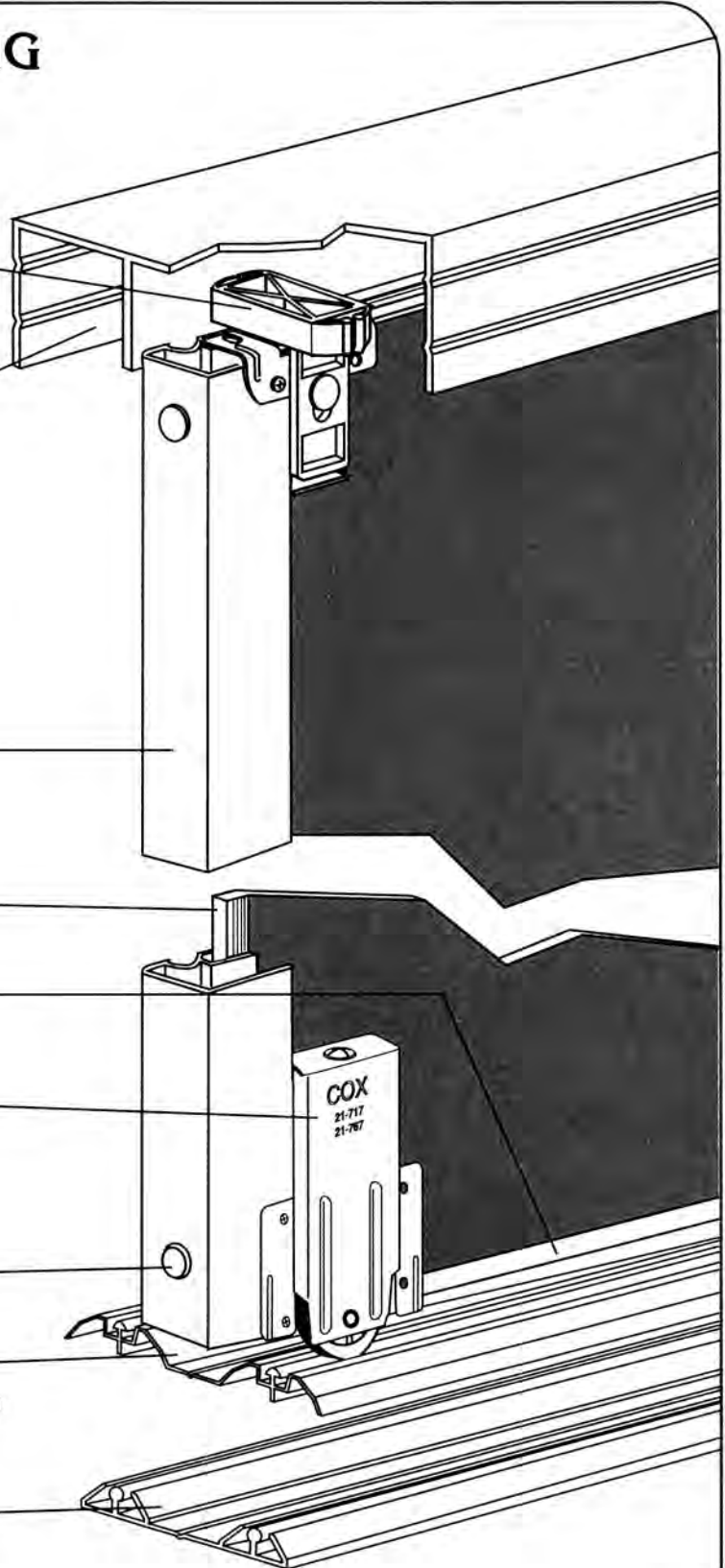
#29-143
Extruded Aluminum Top and Bottom Rail

#21-717/767
Plated Steel Roller Assembly.
1 1/4" (31.8mm) overall vertical adjustment with
durable Delrin® spoked axle or
double steel race ball bearing wheels,
1 1/2" (38.1mm) diameter.

#22-004
Clear Bumper (optional)

#22-603
Extruded Aluminum Sheave Design Standard Threshold

#22-663
Extruded Aluminum Low Profile Threshold (optional)



ASSEMBLY INSTRUCTIONS

1. SIZE DOORS TO FIT OPENINGS

HEIGHT

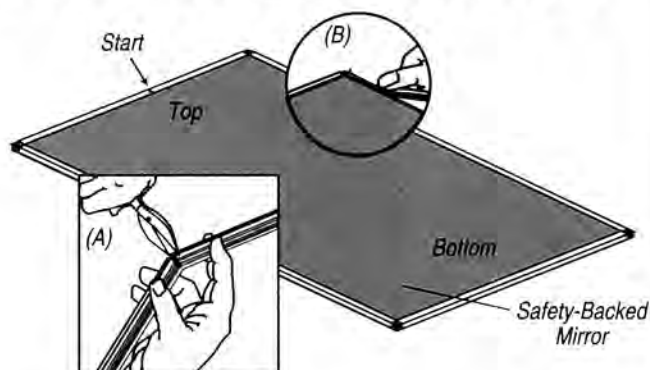
NET FINISHED OPENING HEIGHT	MIRROR LENGTH	STILE LENGTH
80 1/2" (204.5cm)	77 7/8" (197.8cm)	78 1/8" (198.4cm)
96" (243.8cm)	93 3/8" (237.2cm)	93 5/8" (237.8cm)

WIDTH

NET FINISHED OPENING WIDTH	NO. DOORS	MIRROR WIDTH	RAIL WIDTH	GUIDE CHANNEL* & THRESHOLD*
47" (119.4cm)	2	22 5/8" (57.5cm)	21 5/8" (54.9cm)	48" (121.9cm)
59" (149.9cm)	2	28 5/8" (72.7cm)	27 5/8" (70.2cm)	60" (152.4cm)
71" (180.3cm)	2	34 5/8" (88.0cm)	33 5/8" (85.4cm)	72" (182.9cm)
83" (210.8cm)	2	40 5/8" (103.2cm)	39 5/8" (100.7cm)	84" (213.4cm)
95" (241.3cm)	2	46 5/8" (118.4cm)	45 5/8" (115.9cm)	96" (243.8cm)
106" (269.2cm)	3	34 5/8" (88.0cm)	33 5/8" (85.4cm)	108" (274.3cm)
118" (299.7cm)	3	38 5/8" (98.1cm)	37 5/8" (95.6cm)	120" (304.8cm)
142" (360.7cm)	3	46 5/8" (118.4cm)	45 5/8" (115.9cm)	144" (365.8cm)

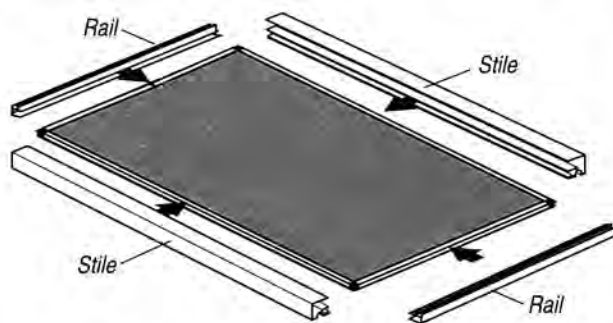
* Allows for cutting to exact finished opening width during installation.

2. APPLY GLAZING CHANNEL



Starting in center of top, stretch glazing channel tight around mirror. Make partial cut through glazing channel, as shown (A), approximately 1" to 2" (25.4 to 50.8mm) before corner of mirror panel. Stretch glazing channel tight and around corner engaging cut as shown (B).

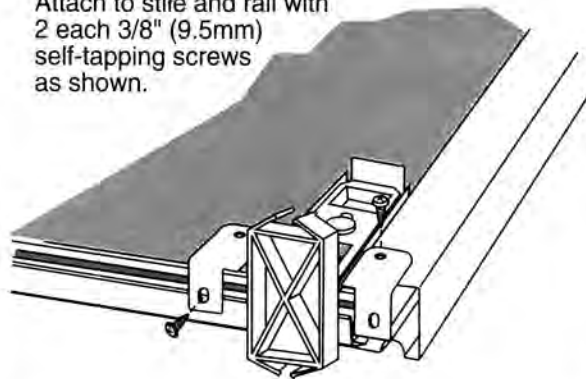
3. ATTACH RAILS AND STILES



With a white rubber mallet, tap rails over glazing channel, centering on mirror panel. Tap on vertical stiles butting against rails, forming square corners.

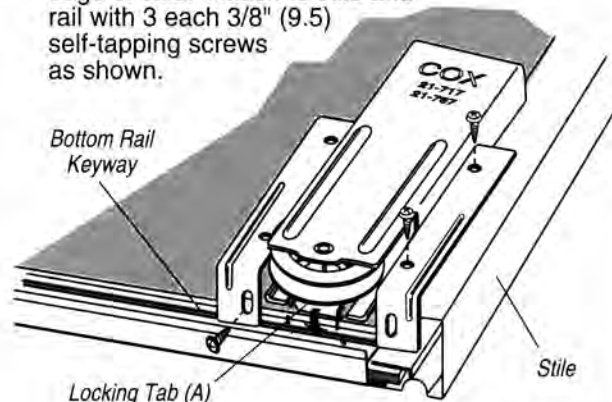
4. INSTALL TOP GUIDES

Attach Top Guide (#22-701) or optional Top Roller Bracket (#22-702). Hold bracket firmly against edge of stile. Attach to stile and rail with 2 each 3/8" (9.5mm) self-tapping screws as shown.



5. INSTALL BOTTOM ROLLER BRACKETS

Attach bottom roller brackets (#21-717 or #21-767). Press locking tab (A) into bottom rail keyway and hold bracket firmly against edge of stile. Attach to stile and rail with 3 each 3/8" (9.5) self-tapping screws as shown.



6. TO FIGURE SPECIAL SIZES

WIDTH

2 Door – Finished opening width plus (+) 1 1/4" (31.8mm) divided (÷) by 2 = door size.

3 Door – Finished opening width plus (+) 2 1/2" (63.5mm) divided (÷) by 3 = door size.

Cut Rails – Door sizes less (-) 2 1/2" (63.5mm)
Cut Mirror – Door size less 1 1/2" (38.1mm)

HEIGHT

Cut Stile – Finished opening height less (-) 2 3/8" (60.3mm)

Cut Mirror – Finished opening height less (-) 2 5/8" (66.7mm)

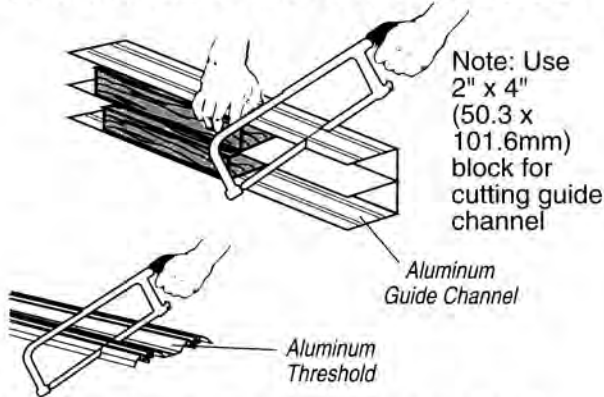
INSTALLATION INSTRUCTIONS

1. FIT DOORS TO OPENINGS

WIDTHS			HEIGHTS	
FINISHED OPENING	NUMBER DOORS	DOOR WIDTH	FINISHED OPENING	DOOR HEIGHT
47" (119.4cm)	2	24 1/8" (61.3cm)	80 1/2" (204.5cm)	78 1/8" (198.4cm)
59" (149.9cm)	2	30 1/8" (76.5cm)	96" (243.8cm)	93 5/8" (237.8cm)
71" (180.3cm)	2	36 1/8" (91.8cm)		
83" (210.8cm)	2	42 1/8" (107.0cm)		
95" (241.3cm)	2	48 1/8" (122.2cm)		
106" (269.2cm)	3	36 1/8" (91.8cm)		
118" (299.7cm)	3	40 1/8" (101.9cm)		
142" (360.7cm)	3	48 1/8" (122.2cm)		

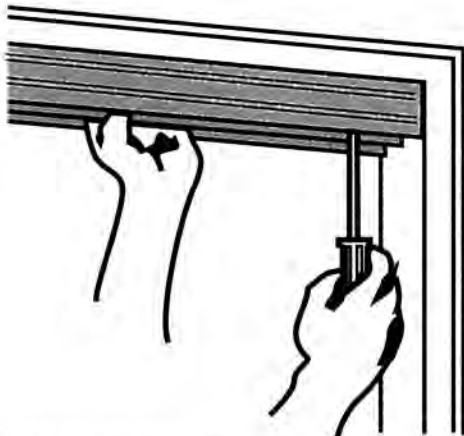
Height of door should be 2 3/8" (60.3mm) less than finished opening. Doors should overlap approximately 1 1/4" (31.8mm).

2. TRIM ALUMINUM GUIDE CHANNEL AND THRESHOLD



Cut aluminum guide channel and threshold to exact opening width using a fine tooth hacksaw (32 teeth per inch).

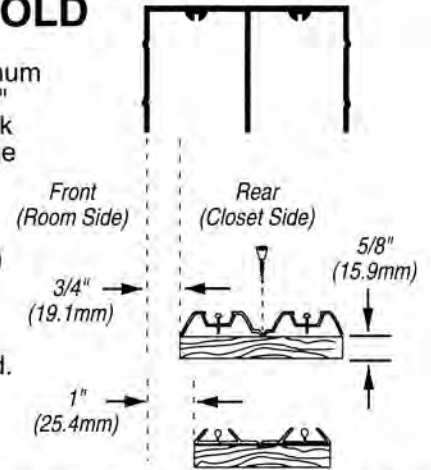
3. INSTALL ALUMINUM GUIDE CHANNEL



Top Guide channel has the same design on both sides. Locate channel flush with front edge of jamb.

4. INSTALL ALUMINUM THRESHOLD

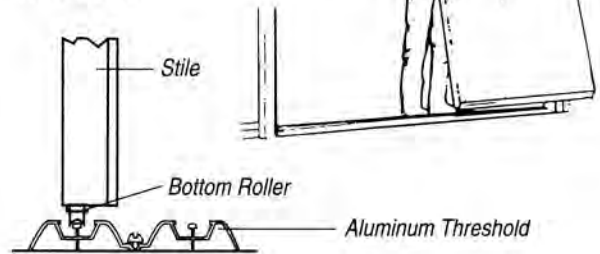
Locate Aluminum Threshold 3/4" (19.1mm) back from front edge of jamb. If carpet is used, 5/8" (15.9mm) wood riser under threshold is recommended.



Optional low profile threshold requires 1" (25.4mm) backset from front of jamb.

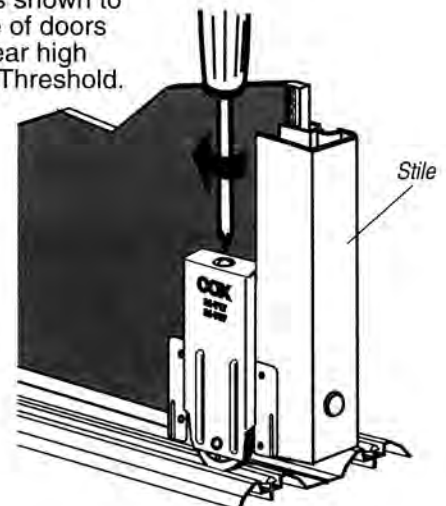
5. INSTALL DOORS

Install rear door first. Raise door and insert Top Guides into Top Aluminum Guide Channel. Allow bottom of door to swing back and lower Bottom Roller Wheels onto Threshold.



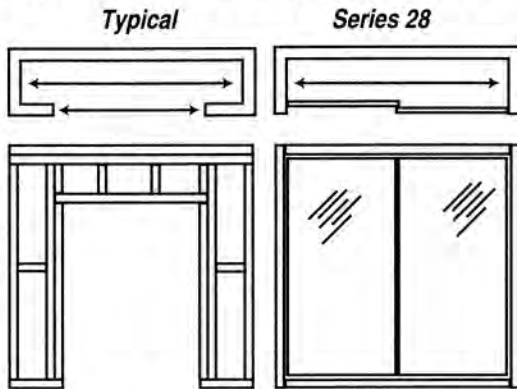
6. ADJUST DOORS

Adjust as shown to align side of doors and to clear high points of Threshold.



SERIES 28

FRAMING COMPARISON



ARCHITECTURAL SPECIFICATIONS

Cox Series 28 Mirror Door hardware shall be guided at the top by Cox Series 22 extruded aluminum top guide channel. Top guide brackets shall be Cox Series 22 plated steel with polyethylene guide inserts of self-adjusting anti-rattle design or plated steel with dual nylon wheels with rubber tires.

Doors shall be assembled by attaching Cox Series 28 extruded aluminum stiles and Cox Series 29 rails over Cox Series 29 clear glazing channel.

Doors shall roll at the bottom on Cox Series 22 extruded aluminum sheave threshold by adjustable sheave type rollers. Wheels shall be 1 1/2" (38.1mm) diameter spoke design axle bearing or double steel race ball bearing with sheave shape tires.

Top guide channel, threshold and all other hardware shall be manufactured by Arthur Cox & Sons, Inc., Industry, California.

MIRROR SPECIFICATIONS

Cox Series 28 Mirror Door hardware is manufactured ready to assemble on pre-cut 1/8" or 5/32" (3 or 4mm) safety-backed mirror. Mirror for reach-in closet applications must conform to ANSI Z 97.1 - 1984 Category 1 Safety Glazing Standards.* Mirror for passage door applications must conform to CPSC 42 FR 1428; 16 CFR Part 1201 Category 2 Safety Glazing Standards.**

* American National Standards Institute, 1430 Broadway, New York, N.Y. 10018
 ** U.S. Consumer Product Safety Commission, Washington, D.C. 20207

COXusa

4755 E. ZINFANDELE COURT, SUITE D | ONTARIO, CA 91761
 P 909/975-4801 | WWW.COXUSA.COM

